

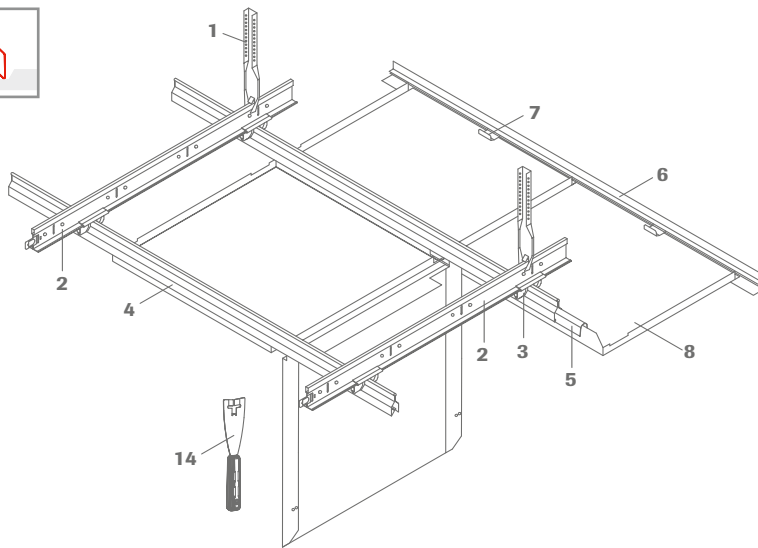
Concealed, swing-down

For positive/negative pressure and clean rooms

OWAtecta® – Metal ceilings

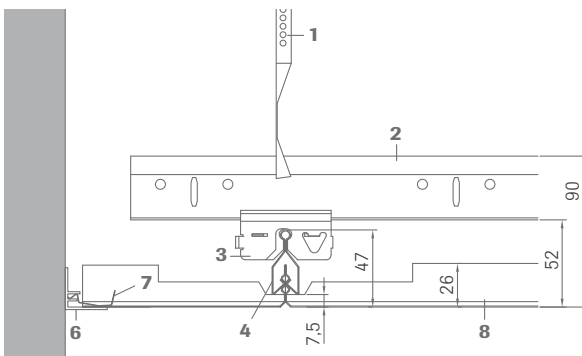
OWA

System S 22 | concealed, swing-down



- 1 Nonius lower section no. 17/45
- 2 Main tee no. 45, distance ≤ 1250 mm
- 3 Cross connector no. 93C
- 4 Clip-in profile no. 87M
- 5 Clip-in profile splice no. 88E
- 6 Wall angle no. 50G
- 7 Wall spring no. 5220
- 8 Metal tile
- 9 Removal tool no. 99005
- 10 F shadow wall angle no. 5620F
- 11 F wall angle no. 50F
- 12 Wall spring no. 99009
- 13 Shadow wall angle no. 50/15G
- 14 Wall spring no. 99010

Cross-section:



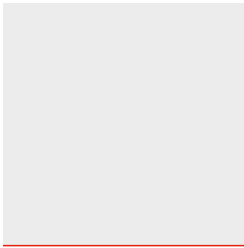
Technical data

Dimensions	600 x 600 mm, 625 x 625 mm
Material	Galvanized steel, perforated design with glued-in black acoustic fleece
Colour	White (similar RAL 9003)
Reaction to fire	Depending on product type A1 or A2-s2,d0 according to EN 13501-1
Edge details	Long edge bevelled 01 Short edge bevelled 01
Thickness	Approx. 0.6 mm
Metal suspensions	All metal components listed are galvanized steel or white coated galv. steel respectively.
Suspension depth	Approx. 270 - 280 mm

Perforations:



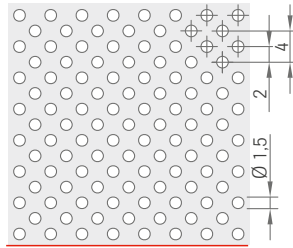
$\alpha_w = 0.05$ | NRC = 0.05



L0 un-perforated



$\alpha_w = 0.70$ | NRC = 0.70

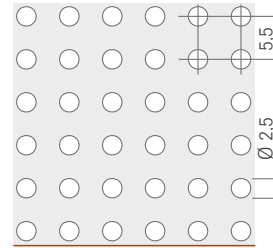


Rd1522

Ø 1,5 mm
22 % open area



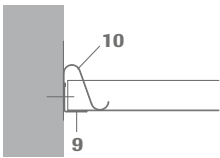
$\alpha_w = 0.80$ | NRC = 0.75



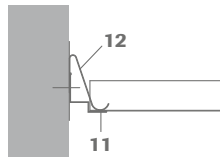
Rg2516

Ø 2,5 mm
16 % open area

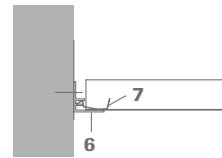
Wall perimeter:



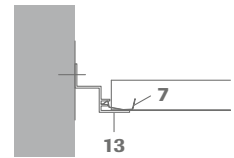
Wall angle
no. 50G
steel, visible face white
+ wall spring no. 99009



Shadow wall angle
no. 50/15G
steel, visible face white
+ wall spring no. 99010



F wall angle
no. 50F
aluminium, visible face white
+ wall spring no. 5220



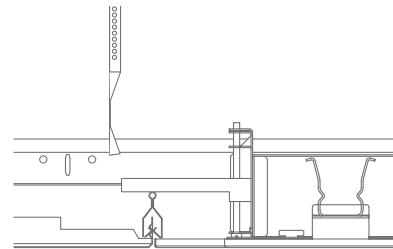
F shadow wall angle
no. 5620F
aluminium, visible face white
+ wall spring no. 5220

If used in small or narrow areas, the ceiling layout should include at least one full tile to allow installation and/or removal of retaining clips and perimeter tiles. For more perimeter options please consult OWA tecta® Installation Guide no. 9303 e.

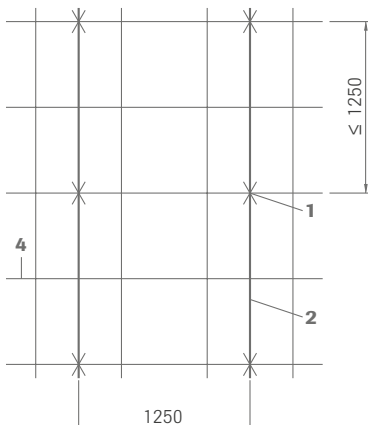
Light fixtures:

OWA can supply compatible light fixtures for this system.

For details of performance, installation and fire resistance please see OWA-brochure no. 9630 e and OWA tecta® Installation Guide no. 9303 e.



Installation example:



Material requirements per m² (approximations)

Dimensions in mm

No.	Description	600 x 600	625 x 625
17/45	Nonius lower section	0.7 pce	0.7 pce
45	Main tee	0.8 m	0.8 m
87B	Clip-in profile	1.67 m	1.6 m
88E	Clip-in profile splice	0.41 pce	0.4 pce
93C	Cross connector	1.33 pcs	1.28 pcs
50F	F wall angle	depending on room size and shape	
5220	Wall spring	depending on room size and shape	

Blue Angel

These products meet the Ecolabel requirements for „Low-emission thermal insulation and ceiling products designed for use in buildings, RAL UZ 132“ (October 2010 edition).



VOC emissions OWAtecta® metal ceiling tiles

Appropriate for use in indoor spaces in accordance with the AgBB and the „approval principles regarding health assessments of construction products in indoor spaces“.

In clinical and hygienically sensitive areas:
Surface un-perforated (L0)



Tested and certified for use in positive/
negative pressure and clean rooms

Surface un-perforated (L0)



Please refer to OWA-brochure no. 9398 e and OWAtecta® Installation Guide no. 9303 e for recommendations regarding classification and versions.

System description:

Concealed, swing-down OWAconstruct® system S 22 (Clamp system)

Quality statement:

OWAtecta clip-in tiles are manufactured from galvanized street steel, available as un-perforated or perforated with glued-in acoustic fleece version, visible face white (similar RAL 9003). Regarding material characteristics, size and colour accuracy we follow our quality guidelines, which are on par with TAIM-guidelines (Association of Industrial Metal Ceiling Manufacturers) as well as DIN EN 13964.

Special features can be found in the OWAtecta® Installation Guide no. 9303 e.

Product Warranties

The information provided in this leaflet is based on the standards and data available at the time of publication. Any performance, warranties or guarantees provided, expressed or implied, are subject to the exclusive use of OWA components and the installation of those components in accordance with our recommendations. Failure to adhere to these conditions will result in the invalidation of any performance claims, warranties or guarantees and rejection of any liability. OWA reserves the right to make any technical improvements to the products, systems or services without prior notice. **All goods and services are supplied in accordance with our current Terms and Conditions of Sale.** Errors excepted!

OWA

Odenwald Faserplattenwerk GmbH

Dr.-F.-A.-Freundt-Straße 3 | 63916 Amorbach | Germany

tel +49 93 73.2 01-0 | info@owa.de

www.owa-ceilings.com

Brochure 9332 e
031700